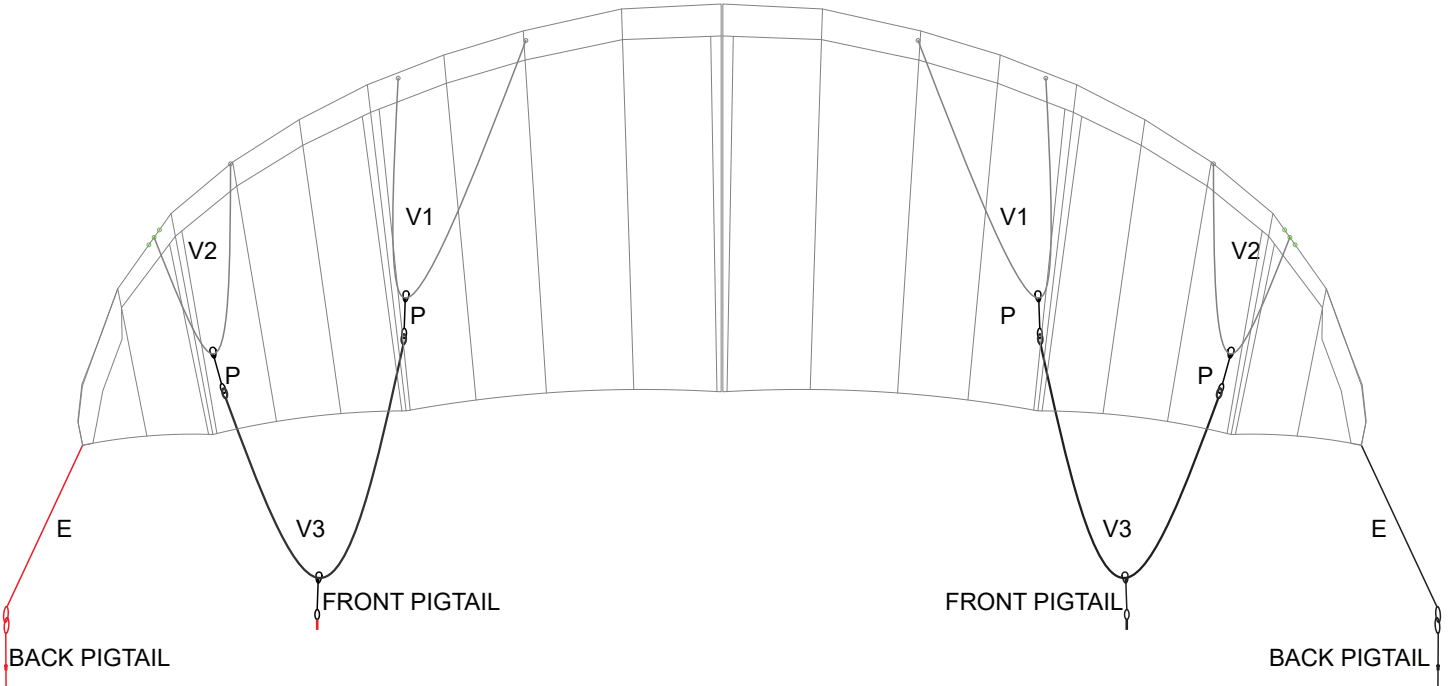




BRIDLE SPECIFICATION - PEAK 3 4 LINES



BRIDLE



	V1	V2	V3	P	E
5.0	1605	948	900	200	382
6.0	1779	1048	1040	200	431
7.0	1944	1143	1174	200	474
8.0	2102	1235	1301	200	495
9.0	2255	1322	1424	200	510
10.0	2403	1407	1544	200	549
11.0	2530	1490	1661	200	586
12.0	2689	1570	1775	200	621
13.0	2828	1650	1887	200	654
14.0	2964	1728	1997	200	685
15.0	3099	1804	2106	200	716

CONSTRUCTION

